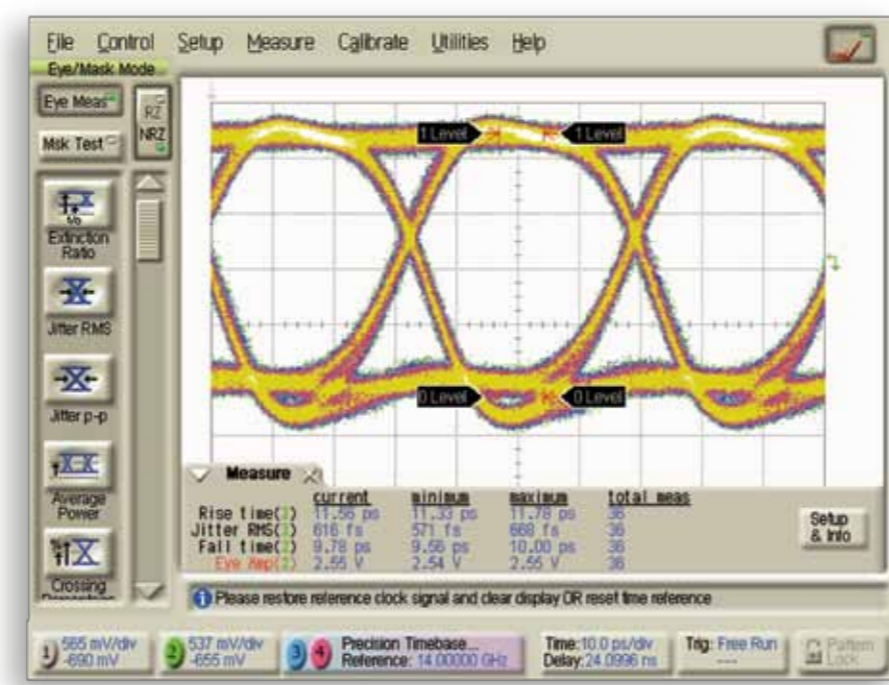


Modulator Drivers for 100GbE Applications

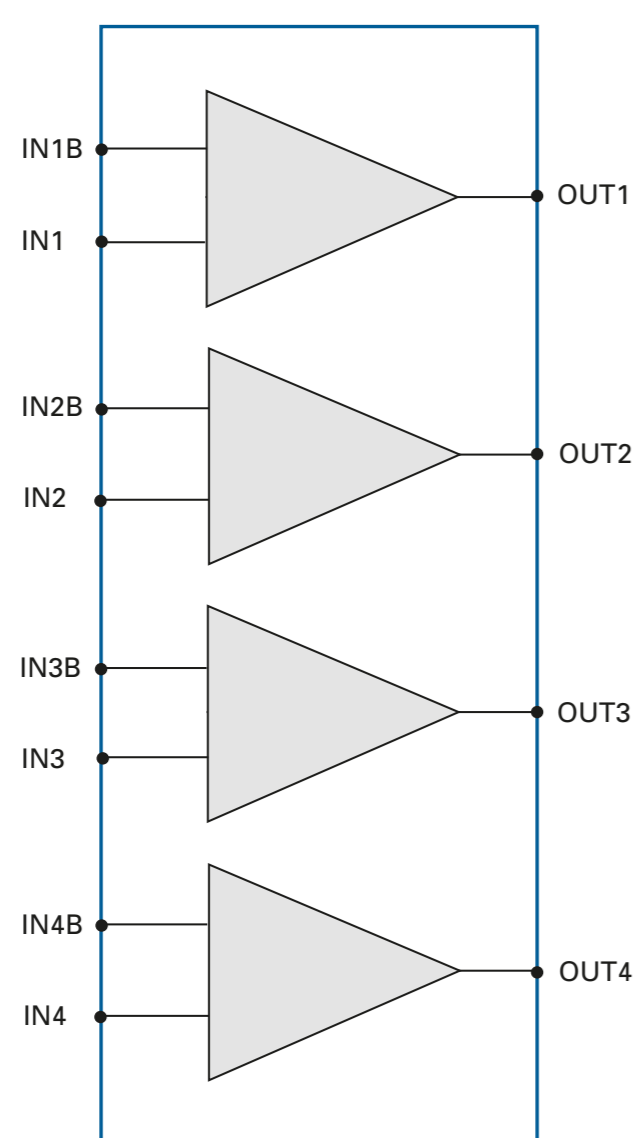
MAOM-002204: 4 x 28 Gbps EML Driver for CFP/CFP2

Features

- > CFP/CFP2 application NZR data rate up to 28 Gbps
- > Lowest power solution
- > Output amplitude: 2.5 Vpp (typ)
- > Smallest size quad-channel solution, surface mount package



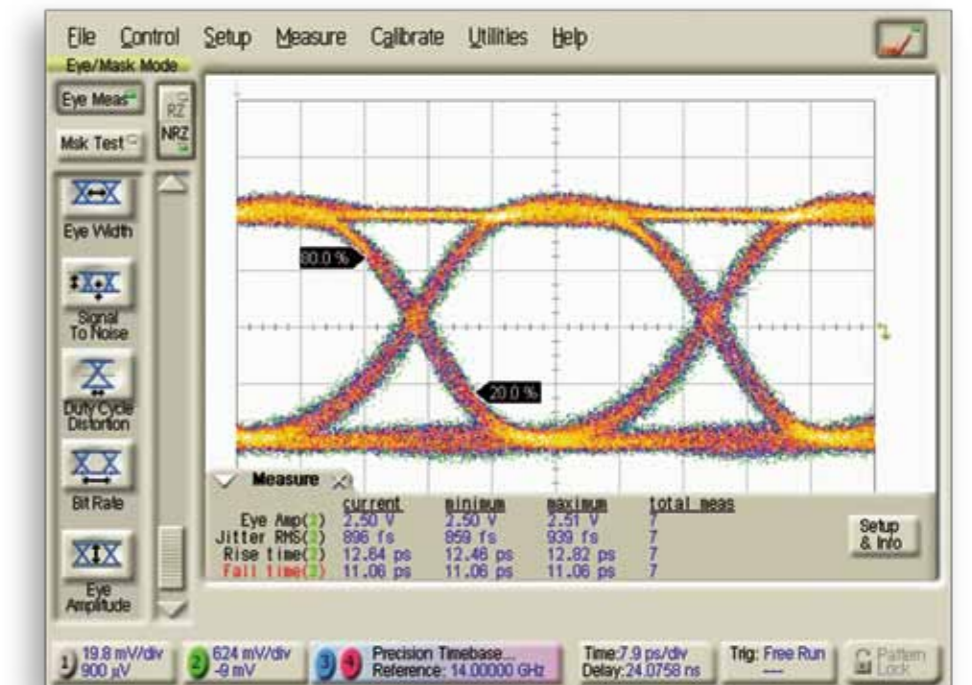
Eye Diagram: 28 Gbps, $V_o=2.5$ Vpp



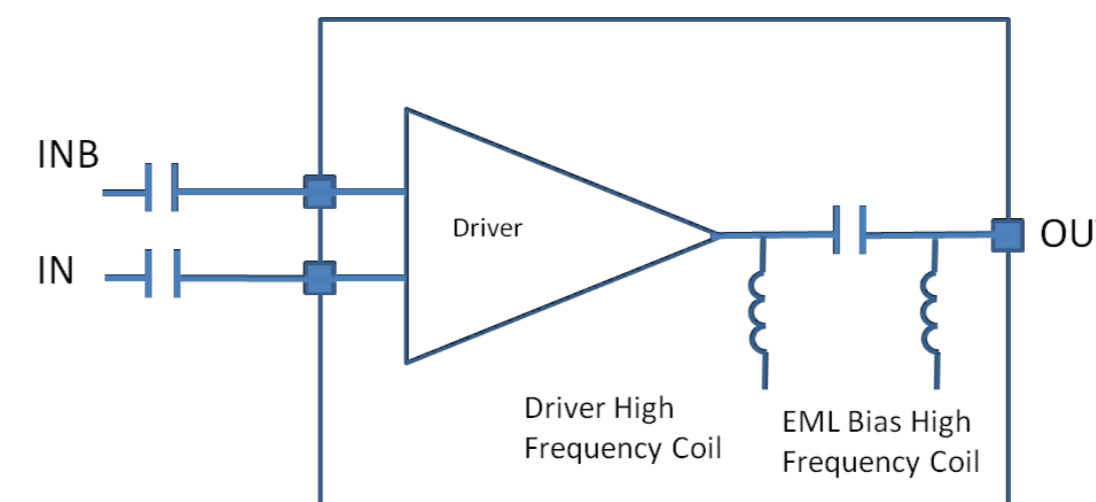
MAOM-002203: 28 Gbps EA Modulator Driver IC

Features

- > 100 Gbps Ethernet (25 Gbps x 4)
- > Maximum input data rate to 28.3 Gbps
- > Output amplitude controllable: 1.0 Vpp-2.5 Vpp
- > Power consumption (typ): 0.75 W @ 2.5 Vpp output
- > Surface mount package (4 mm x 4 mm)



Eye Diagram: 28 Gbps, $V_{d1}=3.3$ V, 73 mA, $V_{d2}=4.3$ V, 110 mA

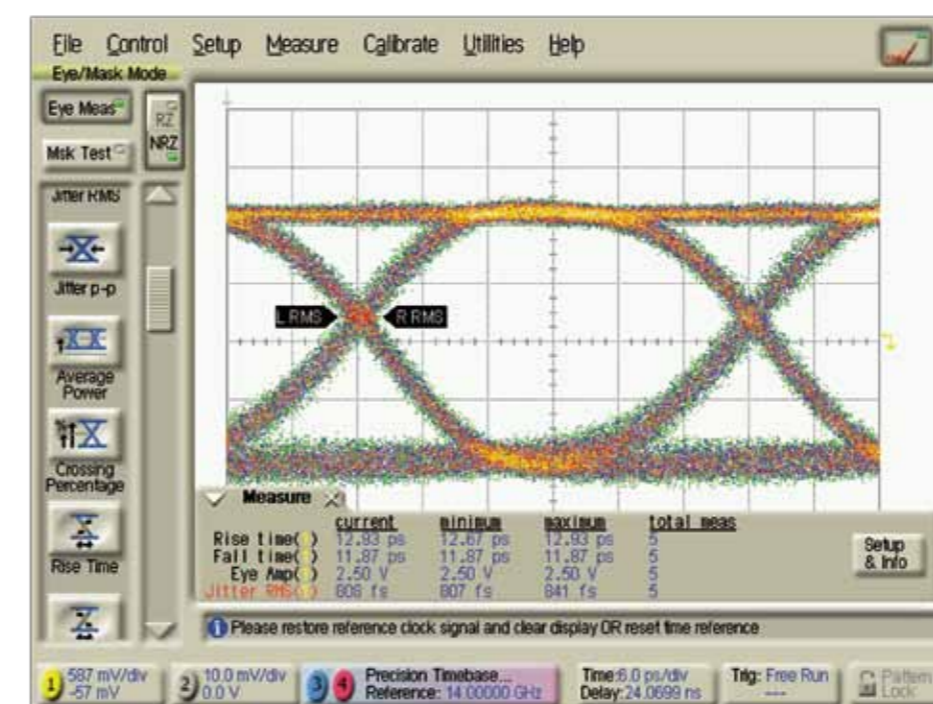


4 mm x 4 mm

MAOM-002207: 28 Gbps EA Modulator Driver IC

Features

- > 100 Gbps Ethernet (25 Gbps x 4)
- > Maximum input data rate 28.3 Gbps
- > Output amplitude controllable: 1.0 Vpp-2.5 Vpp
- > Power consumption (typ): 0.75 W @ 2.5 Vpp output



Eye Diagram: 28 Gbps, $V_{d1}=3.3$ V, 73 mA, $V_{d2}=4.3$ V, 110 mA

