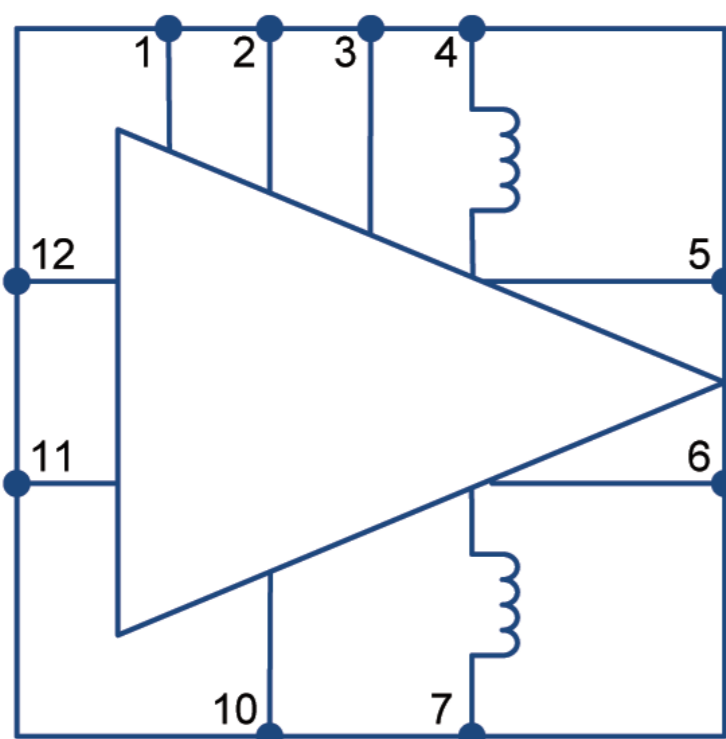
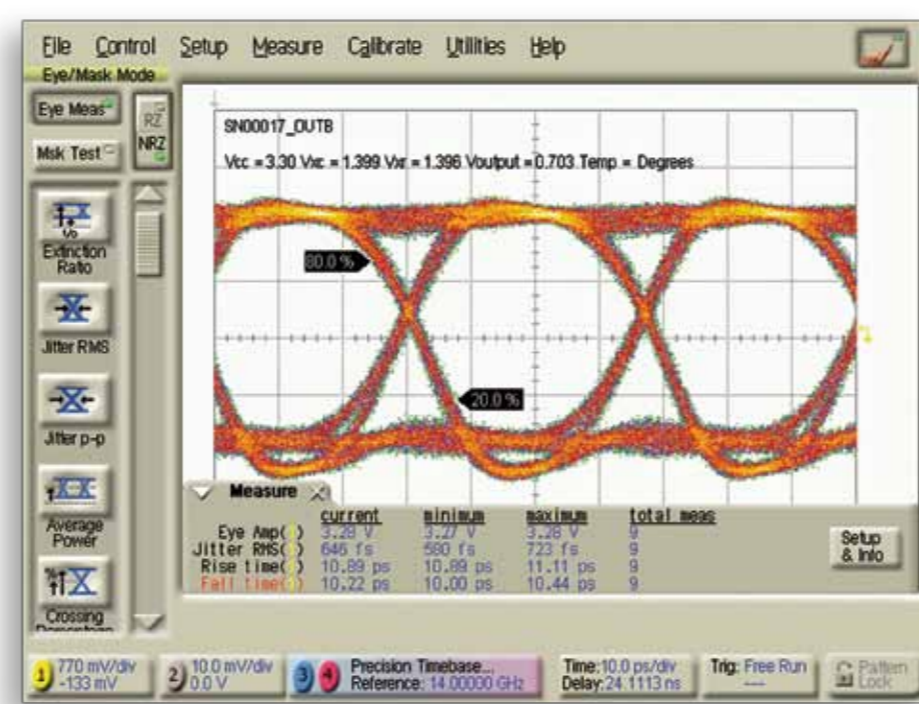


Modulator Drivers for 100G Applications

MAOM-002108: 28 Gbps Differential Modulator Driver

Features

- > 100G ODB, 40G DP-BPSK and 40G DQPSK applications
- > NRZ data rate up to 28 Gbps
- > Output amplitude: up to 7 Vpp differential
- > Input voltage: (Diff./each port) 250 mVpp-500 mVpp
- > Power consumption (typ): 1.3 W @ output of 6 Vpp differential
- > Surface mount package (4.7 mm x 6.5 mm)

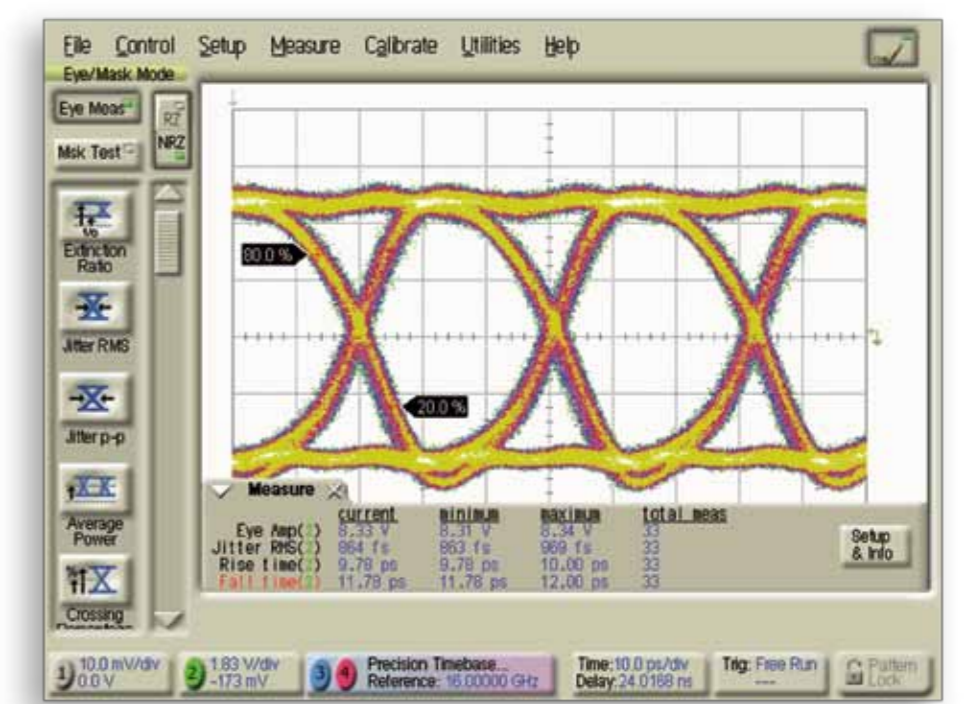


Surface Mount Package
4.7 mm x 6.5 mm

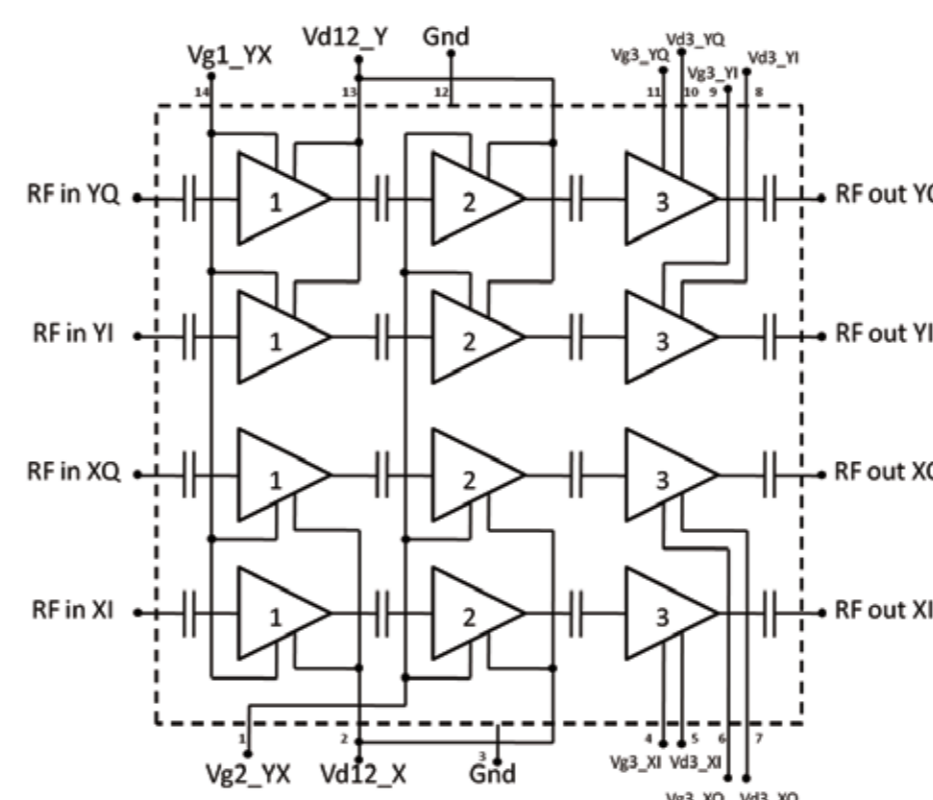
MAOM-003105: 32 Gbps Lithium Niobate Modulator Driver

Features

- > 100G DP-QPSK transponder and DP-QPSK line card
- > NRZ data rate up to 32 Gbps
- > Output amplitude: 8 Vpp single ended
- > Input voltage: (single ended) 350 mVpp-550 mVpp
- > Power consumption (typ): 7.8 W @ output of 7.5 Vpp
- > GPPO module: 24.51 x 34.67 x 5.44 mm



Eye Diagram: 32 Gbps, Vin=400 mV

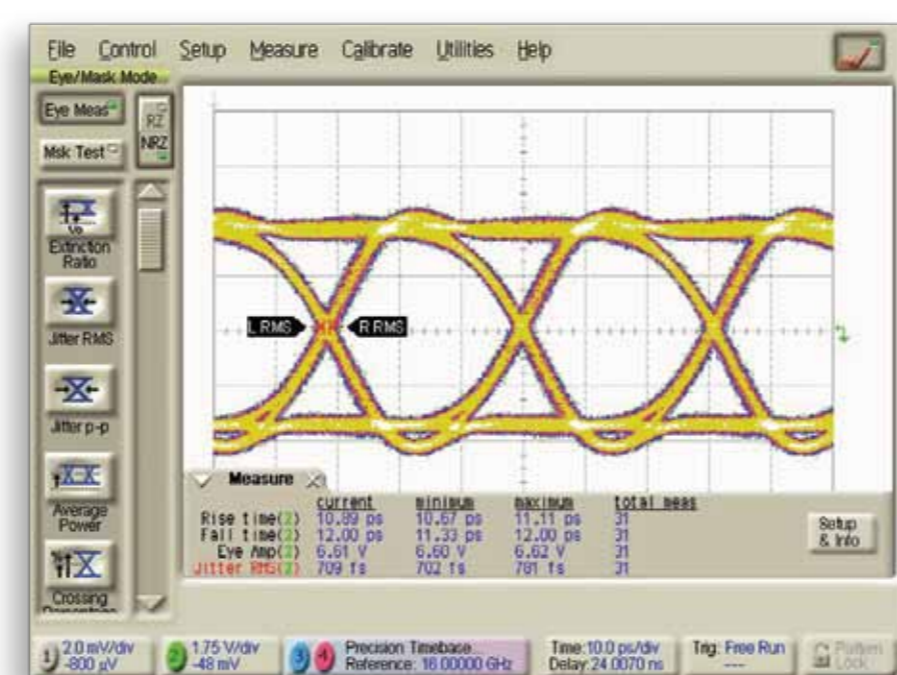


24.51 mm x 34.67 mm x 5.44 mm

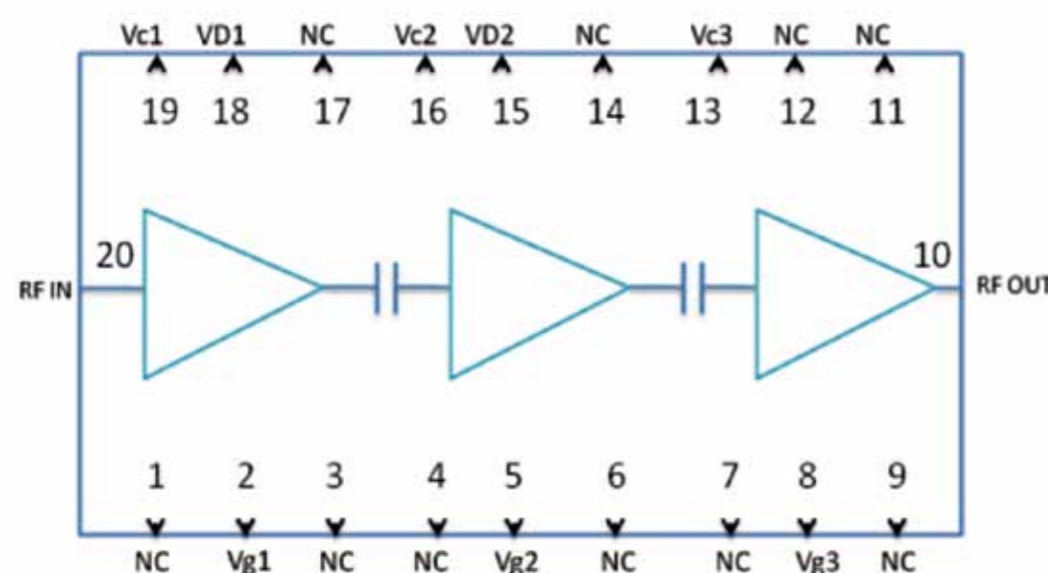
MAOM-002103: 23/32 Gbps Modulator Driver

Features

- > 100G DP-QPSK and 40G DQPSK applications
- > NRZ data rate up to 32 Gbps
- > Output amplitude: 3.5 Vpp-8 Vpp
- > Input voltage: 400 mVpp-550 mVpp
- > Power consumption (typ): 1.8 W @ Vo=7.5 Vpp (as low as 1 W @ Vo=6 Vpp)
- > Surface mount package (14.4 mm x 7 mm x 2 mm)
- > Industry standard pinout



Eye Diagram: 32 Gbps, Vin=350 mV, Vdd=6 V

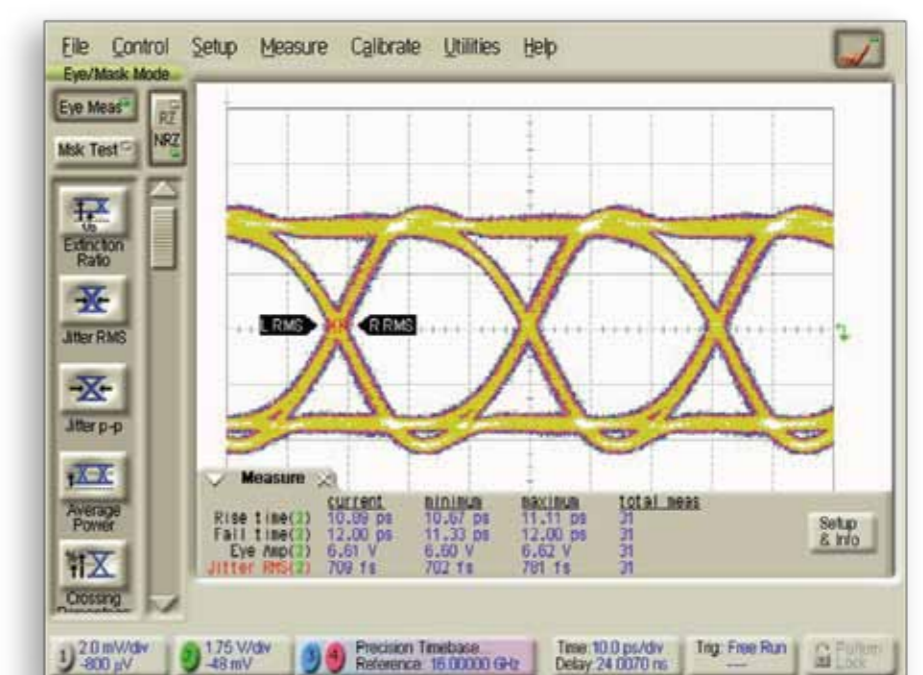


Surface Mount Package
14.4 mm x 7 mm x 2 mm

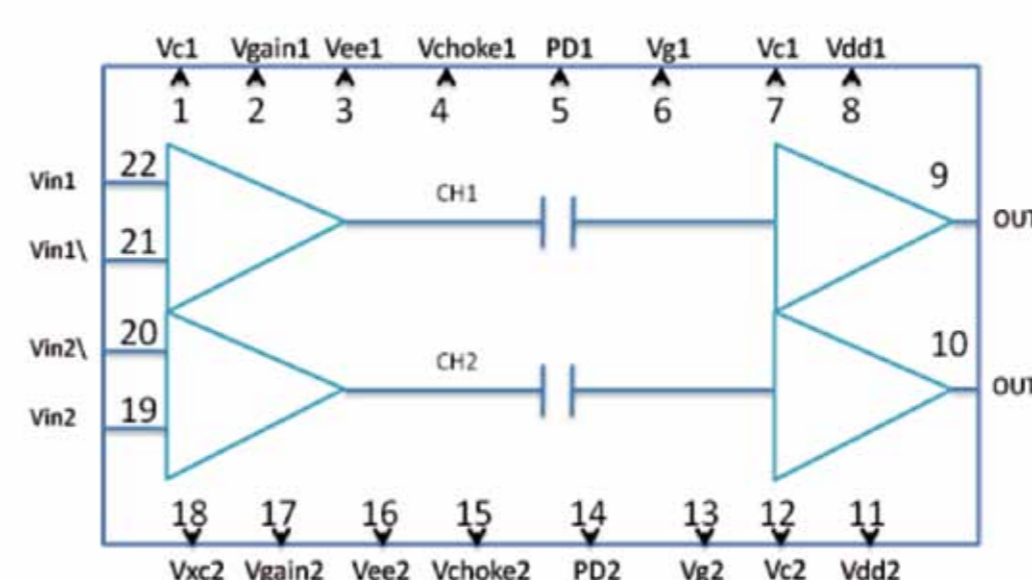
MAOM-003106: 2 x 32 Gbps Modulator Driver

Features

- > NRZ data rate up to 32 Gbps
- > Differential inputs for improved isolation
- > Output amplitude: up to 8 Vpp (typ)
- > Input voltage: 0.6-1.1 Vpp (differential)
- > Power consumption (typ): 2.25 W/ch @ Vo=7.5 Vpp
- > Surface mount package (10 mm x 10 mm x 2 mm)



Eye Diagram: 32 Gbps, Vin=350 mV, Vdd=6 V



Surface Mount Package
10 mm x 10 mm x 2 mm