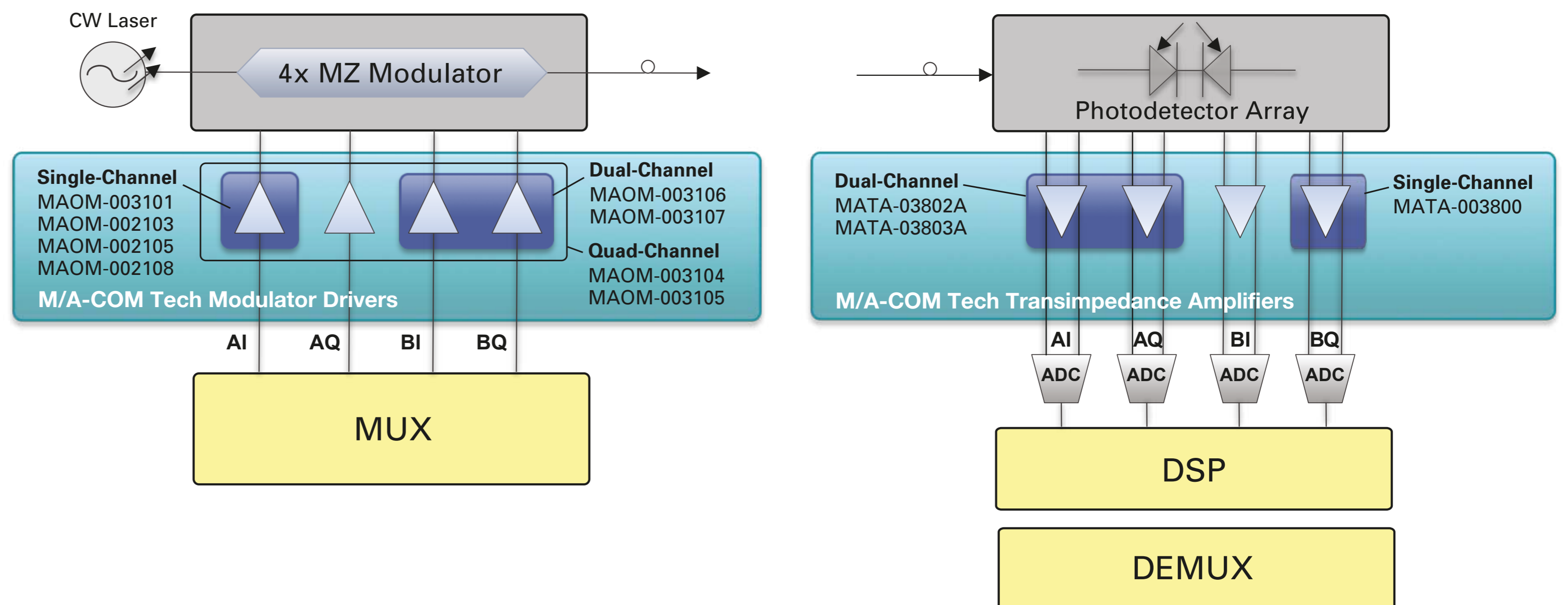


Driver and TIA Solutions for 100G/400G Applications

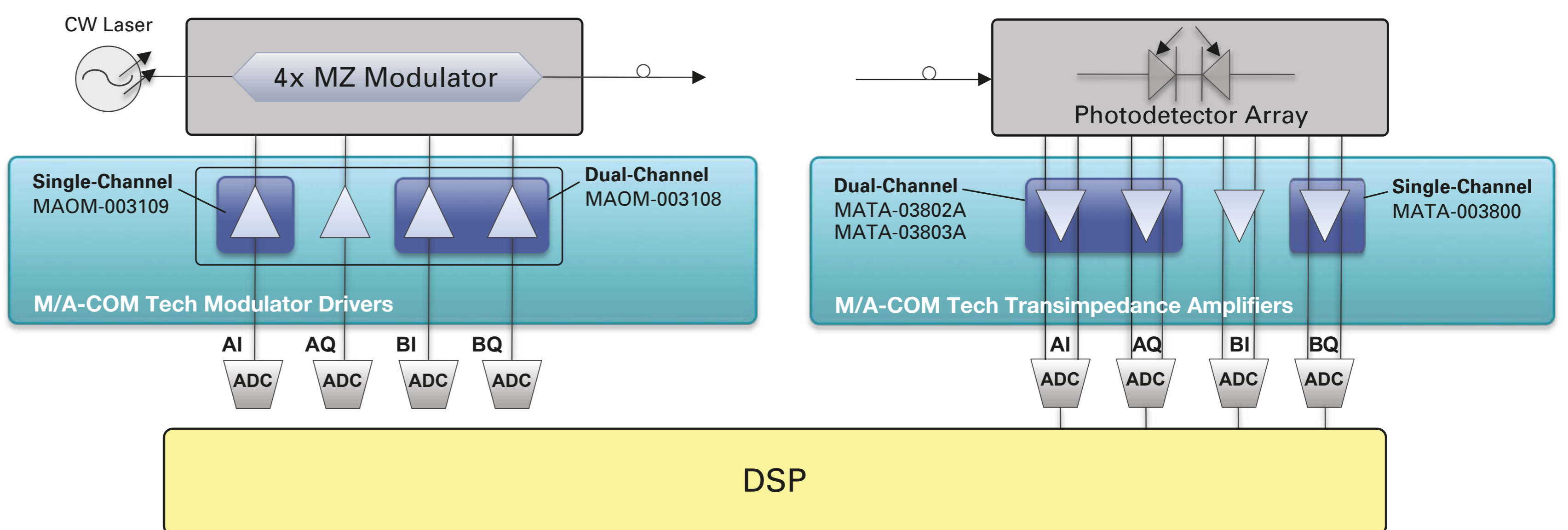
100G Coherent: Building blocks for DP-QPSK modules and line-cards

- > Range of single and multi channel driver and TIA solutions
- > Single-ended or differential interface drivers for improved performance
- > Surface mount and GPPO-based packages



400G Coherent: Building blocks for DP-QPSK applications

- > Differential and single-ended models for driving InP and LiNb modulators
- > Low harmonic distortion for QAM applications
- > Small form factor surface mount packages



100G Ethernet: Building blocks for CFP2 modules

- > Single-channel and ultra low power quad-channel driver solutions
- > Single- and dual-channel transimpedance amplifiers (TIAs)
- > Die and surface mount (SMT) packages available

